

VM CARBS

Mikuni VM Round Slide Carburetors



Mikuni VM Round Slide Carburetors

Order No.	Type	Mikuni No.	Main Jet	Pilot Jet	N/J	J/N	Throttle Valve	Air Jet	Needle Valve
001-001	Clamp-on	VM18-144 18mm	4/042 #80	VM22/210 #30	#145 O-0	4F18	VM18/158 3.0	None	VM15/172 1.5
001-005	Flange	VM20-273 20mm	4/042 #180	VM28/1001 #22.5	#239 O-6	4J13	VM20/491 2.0	VM13/04 0.5	VM15/172 1.5
001-007	Flange	VM22-133 22mm	4/042 #100	VM22/210 #30	#257 N-8	4D20	VM26/21 2.0	None	VM26/26 2.0
001-020	Spigot	VM26-74 26mm	4/042 #190	VM22/210 #60	#182 N-8	5F3	VM28/56 2.0	BS30/97 0.5	VM26/26 2.5
001-022	Spigot	VM28-49 28mm	4/042 #200	VM22/210 #60	#169 N-8	5F21	VM28/56 2.5	BS30/97 0.5	VM26/26 2.5
001-024	Spigot	VM30-83 30mm	4/042 #250	VM22/210 #40	#159 P-5	6F5	VM34/110 2.5	BS30/97 2.0	VM34/39 3.3
001-028	Spigot	VM32-33 32mm	4/042 #200	VM22/210 #35	#159 Q-6	6DP17	VM34/110 3.0	BS30/97 2.0	VM34/39 3.3
001-030	Spigot Short Bell	VM34-168 34mm	4/042 #260	VM22/210 #35	#159 Q-2	6DH4	VM34/110 2.5	BS30/97 2.0	VM34/39 3.3
001-035	Spigot	VM36-4 36mm	4/042 #310	VM22/210 #35	#159 Q-5	6FJ6	VM36/36 2.5	BS30/97 2.0	VM34/39 3.3
001-040	Spigot	VM38-9 38mm	4/042 #330	VM22/210 #30	#166 Q-2	6DP1	VM38/24 2.5	BS30/97 0.5	VM34/39 3.3
001-045	Spigot	VM40-4 40mm	4/042 #310	VM22/210 #35	#224 AA-5	7F7	VM44/23 2.5	BS30/97 0.5	VM34/39 3.3
001-048	Spigot	VM44-3 44mm	4/042 #310	VM22/210 #35	#224 AA-5	7F7	VM44/23 2.5	BS30/97 0.5	VM34/39 3.3

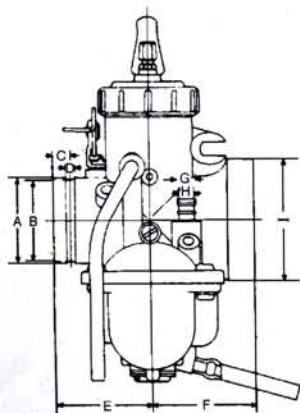
Standard Round "Right Idle Screw"

Order No.	Type	Mikuni No.	Main Jet	Pilot Jet	N/J	J/N	Needle Valve	Throttle Valve	Air Jet
001-051	Spigot	VM32-193 32mm	4/042 #200	VM22/210 #35	#159 Q-6	6DP17	VM32/65 3.0	BS30/97 2.0	VM34/39 3.3
001-052	Spigot	VM34-275 34mm	4/042 #260	VM22/210 #35	#159 Q-2	6DH4	VM32/65 2.5	BS30/97 2.0	VM34/39 3.3

All VM Series Round Slide carbs are available in Standard jetting as above.

Special Set to your specs or application is available or Sudco Custom Jetting for a given application.

Model		VM18	VM20	VM22	VM26	VM28	VM30	VM32	VM34	VM36	VM38	VM40	VM44
Dimension (mm)	A	Clamp On 22 ID	Flange 50.8 BOLT CTR	Flange 49 BOLT CTR	35	35	40	40	40	43	43	52	52
	B	67	66	85	93	93	93	102	93	116	116	116	116
	C	108	115	114	122	120	37	142	137	152	154	193	193
	D	32	43	43	44	44	58	58	58	62	62	70	70
	Total Width	61	76.5	82	82	72	83	83	83	79	79	79	79
Throttle Adjuster & Air Screw Position	Throttle	Left	Left	Left	Left	Left	Left	Left	Left	Left	Right	Left	Left
	Adjuster Air Screw	Right	Left	Left	Right	Right	Right	Right	Right	Right	Right	Right	Right
	Weight (g)	492	546		550	550	800	770	750	850	830	1020	1104
	Material	Alum.	Alum.	Alum.	Alum.	Alum.	Alum.	Alum.	Alum.	Alum.	Alum.	Alum.	Alum.



Float Height

Model	VM26 -74	VM28 -49	VM30 -83	VM32 -33	VM34 -168	VM36 -4	VM38 -9	VM40 -4	VM44 -4
Height (inch)	.59~.66	.59~.66	.86~.94	.86~.94	.86~.94	.66~.74	.66~.74	.66~.74	.66~.74
(mm)	15~17	15~17	22~24	22~24	22~24	17~19	17~19	17~19	17~19

Mikuni VM Carburetor

See next page for order numbers.

Exploded View

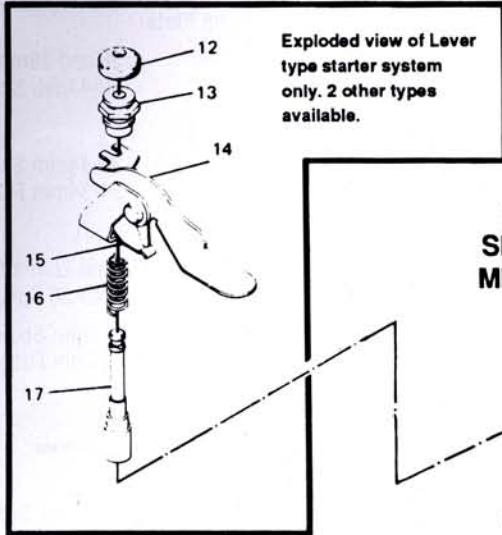
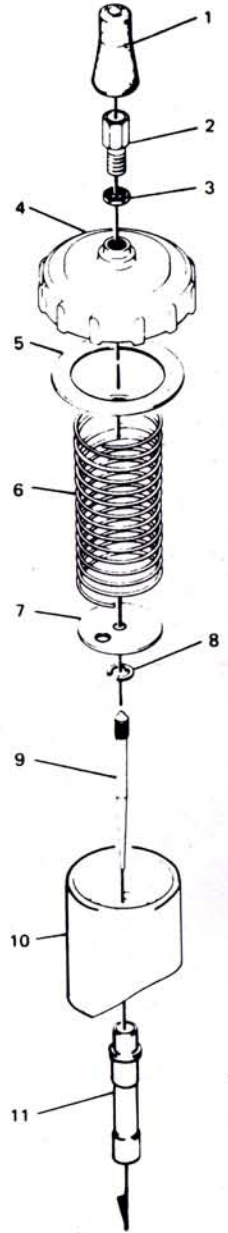
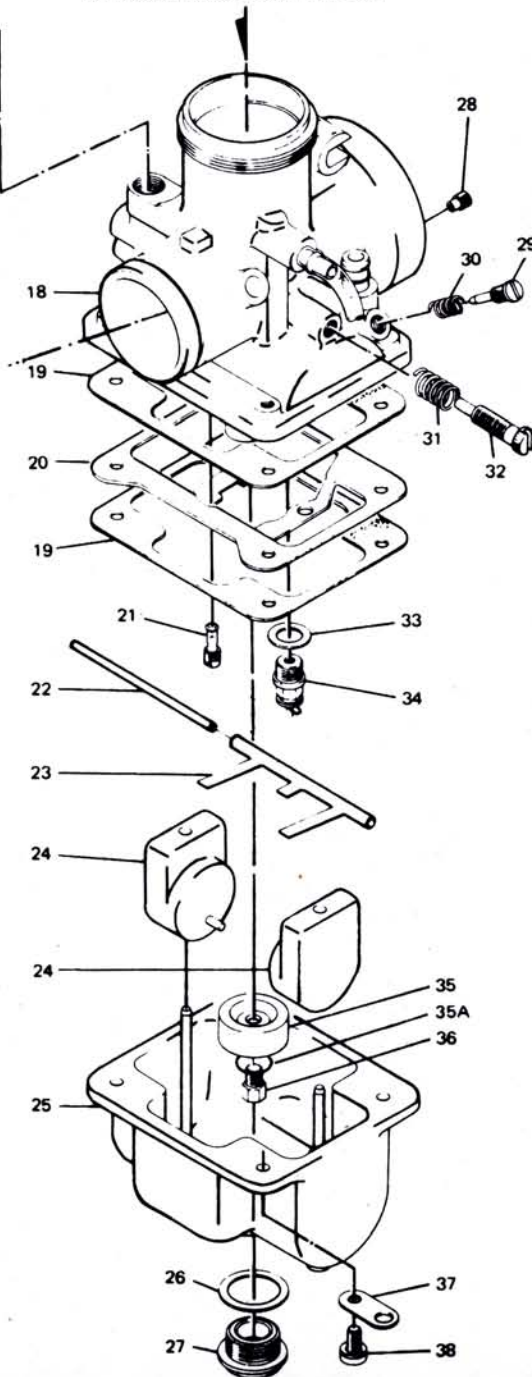
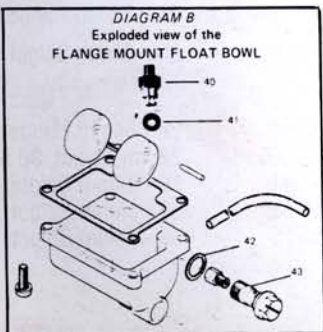


DIAGRAM A
Exploded view of a
SPIGOT MOUNT TYPE
MIKUNI CARBURETOR



Main Jet Extender
VM38/09
or VM38/03

#39



Mikuni VM Carburetor Parts

1. **Throttle Cable, Rubber Cap**
 002-061 VM26/46 All Mikuni Carbs
 002-370 VM22/18 For 45 angled cable adjuster
2. **"A" Cable Adjuster**
 002-062 M21/14 All Mikuni Carbs (6mm)
 002-063 VM28/256 All Mikuni Carbs (7mm)
"B" Angled Cable Adjuster (45)
 002-064 I-M22-10-3 All Mikuni Carbs
"C" Cable Adjuster Rubber Cap
 002-370 M22/18 All Mikuni Carbs
3. **Cable Adjuster Locknut**
 002-065 B30/247 All Mikuni Carbs
4. **Mixing Chamber Top**
 002-066 VM34/27 All 30-34mm
 002-067 VM36/09 All 36 and 38mm
 002-068 VM44/05 All 40 and 44mm
 002-235 VM26/51 All 30mm Small Body
 002-236 VM26/56 All 22 and 24mm
 007-269 VM32/431 For Banshee conversion, Blaster 34 Power Jet
5. **Mixing Chamber Top, Gasket**
 Comes with mixing chamber top
6. **Spring, Throttle Valve**
 002-069 VM24/195 VM28
 002-070 VM28/28 30-34mm Spigot
 002-071 BM28/58 VM26
 002-072 VM34/50 30-34mm Spigot
 32-34mm Flange
 002-074 VM34/55 All 34 and 36mm
 002-138 VM34/152 38mm Spigot
 002-075 VM44/13 All 40 and 44mm Spigot
 002-073 VM34/06 "Light" Spring for 30-36mm
7. **Spring Seat Plate**
 002-077 VM26/54 26-30mm Flange
 002-078 VM26/55 24 and 26mm Flange
 002-079 VM28/132 28mm Spigot
 002-080 VM34/31 30-34mm Spigot
 32 and 34mm Flange
 002-081 VM35/09 All 36 and 38mm Spigot
 002-082 VM44/09 All 40 and 44mm Spigot
8. **Needle Positioning Clip**
 002-083 VM20/369 All Mikuni Carbs
 002-455 BSW28/70 40 and 44mm Spigot
9. **Jet Needles - See Chart on pg 114**
10. **Throttle Valves - See Chart on pg 120**
11. **Needle Jets - See Chart on pg 116**
12. **Starter Plunger Rubber Cap**
 002-084 VM20/455 30-44mm Spigot
 (VM30/302)
13. **Starter Plunger Fitting**
 002-085 VM20/456 30-44mm Spigot
 002-815 VM26/116 26-28mm Spigot
14. **Starter Lever**
 002-135 VM28/124 30-34mm Spigot
 002-187 VM32/53 36-38mm Spigot
 002-136 VM36/58 40 and 44mm Spigot
15. **Starter Lever Spring Plate**
 002-088 VM26/09c 26 and 28mm Spigot
 002-089 VM32/17 30-44mm Spigot
16. **Starter Plunger Spring**
 002-090 VM14SC11/89 26-44mm Spigot
 002-358 VM15SC6/89 24-34mm Flange
17. **Starter Plunger**
 002-091 VM15/62 24 and 26mm Flange
 26 and 28 Spigot
 002-092 VM18/144 30-44mm Spigot
 30-34mm Flange



Lever Type Starter System

Complete Lever Starter System includes items 12 through 17.

002-350A 36-38mm

002-350B 30-34mm

18. Mixing Chamber Body (not available)

19. Float Bowl Gasket

- | | | |
|---------|--------------------------|--|
| 002-099 | VM28/18 | 26 - 34mm Flange |
| 002-100 | VM34/30
(999-631-011) | 30 - 34mm Spigot
(without baffle plate) |
| 002-101 | VM34/71
(999-631-010) | 30 - 34mm Spigot
(with baffle plate) |
| 002-102 | VM36/20 | 36 - 44mm Spigot |
| 002-103 | VM30/172 | 30 Small Body |
| 002-361 | VM28/129 | 28mm Spigot |

20. Float Bowl Baffle Plate

- | | | |
|---------|------------------------------------|------------------|
| 002-104 | VM34/72 | 30 - 34mm Spigot |
| 002-362 | VM34/114
(standard replacement) | 30 - 34mm Spigot |

- | | | |
|---------|---------|--------------------|
| 002-105 | VM36/16 | 36 and 38mm Spigot |
| 002-106 | VM44/12 | 40 and 44mm Spigot |

21. Pilot Jet - see chart page 119

22. Float Arm Hinge Pin

- | | | |
|---------|----------|--------------------------------------|
| 002-107 | BV26/22 | 26 - 28mm Spigot
24 - 34mm Flange |
| 002-605 | VM30/160 | 30 - 44mm Spigot |

23. Float Arm

- | | | |
|---------|----------|--------------------|
| 002-108 | VM28/59 | 26 - 34mm Flange |
| 002-109 | VM28/166 | 28mm Spigot, 30 SB |
| 002-110 | VM34/41 | 30 - 34mm Spigot |
| 002-111 | VM34/73 | 30 - 34mm Spigot |
| 002-112 | VM36/15 | 36 - 44mm Spigot |