

Mikuni TM Flat Slide Carburetors

TM Series Flat Valve Carburetor

Mikuni's original flat valve (flat slide) carburetor, the TM Series Carburetors provide significant performance improvements over older design round slide carburetors. Air flows faster and smoother through the TM Series venturi due to the flat slide configuration and the jet blocks which help create a smoothbore effect. The high velocity of the air flow means a stronger vacuum at the needle jet, providing more precise metering and better throttle response.

TM36 Four Stroke w/pump



TM38



TM36



TM24

Order No.	Carburetor Description	Main Jet	Pilot Jet	Needle Jet	Jet Needle	Throttle Valve	Air Jet
001-017	TM24-8001	4/042 130	VM22/210 15	454 Q-0	5N13	832-30006 3.0	.6
001-023	VM28-418	4/042 180	VM22/210 15	175 P-8	5DP39	832-33001 2.5	.8
001-026	TM32-1	4/042 250	VM22/210 45	389 Q-2	5FP17	832-39012 4.0	None
001-033	TM34-2	4/042 280	VM22/210 50	389 Q-2	5FP17	832-39012 4.0	None
001-038	TM36-2	4/042 280	VM22/210 50	389 Q-6	6FJ40	832-43002a 4.0	None
001-060	TM38-85/47mm*	4/042 230	VM22/210 22.5	389 Q-2	6FJ41	832-43011 4.0	None
001-061	TM38-86/44mm*	4/042 230	VM22/210 22.5	389 Q-2	6FJ41	832-43011 4.0	None
001-032	TM33-8012**	N100.604 127.5	VM28/486 37.5	640 P-8	5FP96	1.5	0.7
001-552	TM36-68**	N100.604 130	VM28/486 12.5	568 P-8	9DZH6-50	2.0	1.0
001-085	TM40-6**(HS40)	N100.604 165	VM28/486 17.5	784 Y-6	9DJY01		

*Spigot O.D. **w/Accelerator Pump

Power Jet Kits

The TM Series bodies are designed to accept Power Jet Pump Kits. Power Jet Kits are usually used on carburetors in 2 stroke engine applications to prevent lean-ing out during extended full-throttle running.

002-041 Power Jet Kit
36-44mm

Special Set TM Series Flat-Valve Carbs

Use the following part numbers when ordering a special jetting or request.

Order No.	Description of Carb
001-170 TM24	Flat-Slide Special Set
001-172 TM28	" "
001-176 TM32	" "
001-178 TM34	" "
001-180 TM36	" "
001-181 TM36	" " with Throttle Valve Change
001-152 TM38 44mm*	" "
001-153 TM38 44mm*	" " with Throttle Valve Change
001-154 TM38 47mm*	" "
001-155 TM38 47mm*	" " with Throttle Valve Change

*Spigot O.D.



Throttle Valves

002-948	832-38007	1.5	TM33-8012
007-401	832-43011	2.5	TM38-85, TM38-86 (New Style Carb)
007-406	832-43011	3.0	Side Idle
007-403	832-43011	3.5	
007-404	832-43011	4.0	
007-405	832-43011	4.5	
002-734	832-43002	2.5	TM36, TM38 (Old Style Carb, Top Idle)
002-735		3.0	Top Idle
002-737		4.0	
002-739		5.0	
002-804	832-33001	2.5	TM28
002-951	832-30006	3.0	TM24
002-800	832-39012	4.0	TM32, TM34
002-948	832-38007-1.5		TM33

Needle Valves

002-703	786-46001	1.5	TM32, TM34, TM36, TM38
002-702		1.8	
002-704		2.0	
002-705		3.3	
002-706		3.0	TM32-TM38
002-707		3.5	
002-840	VM24/557	2.5	TM28, TM24
002-232	VM26/185	1.5	TM24 Only
	(viton tip)		
007-502	N133.200	1.8	TM33
007-505	786-36011	3.3	TM36-68

Jet Needles

002-349	6FM46		TM36, TM38
002-712	6FJ40		39 Pro-Series, 41 Pro-Series
002-341	6DP4		(see needle chart page 113-115)
002-713	6FJ41		
002-273	5DP39		TM28, TM32, TM34
002-300	6DH3		
002-299	6DH2		(see needle chart page 113-115)
002-315	6F9		

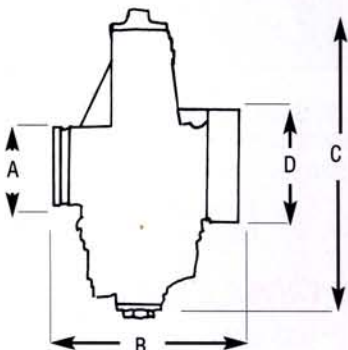
See complete Jet Needle selection for additional sizes.

Mikuni TM Carburetor

Model	VM24-8001	VM28-418	TM32-1	TM34-2	TM36-68	TM36-2	TM38-86	TM38-85
Dimension A	31	33	40	42	42	43	47	
Dimension B	75	82	83	100	100	100	100	
Dimension C	145	135	160	176.5	176.5	170	170	
Dimension D	44	44	58	54	54	62	62	
Total Width	76	76	78	78	78	75	75	

(TM33 dimensions are on pg.98)

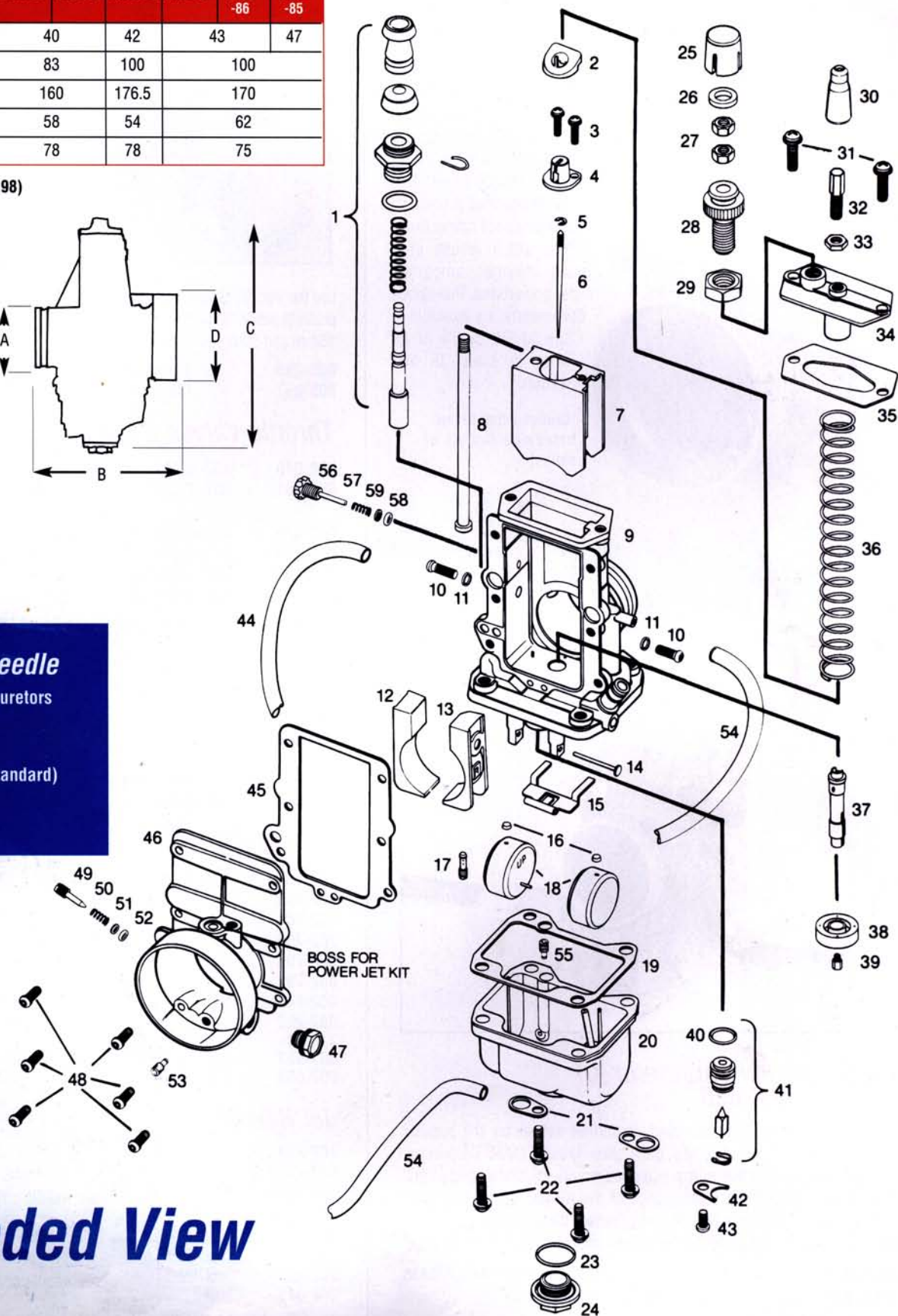
TM Series Flat Slide Carburetor Dimensions



Special Jet Needle

for 38 Flatslide Carburetors

RICH	6DP4
↑	6FJ40 (Standard)
↕	6FM46
↓	6FJ41
LEAN	6FJ41



Exploded View